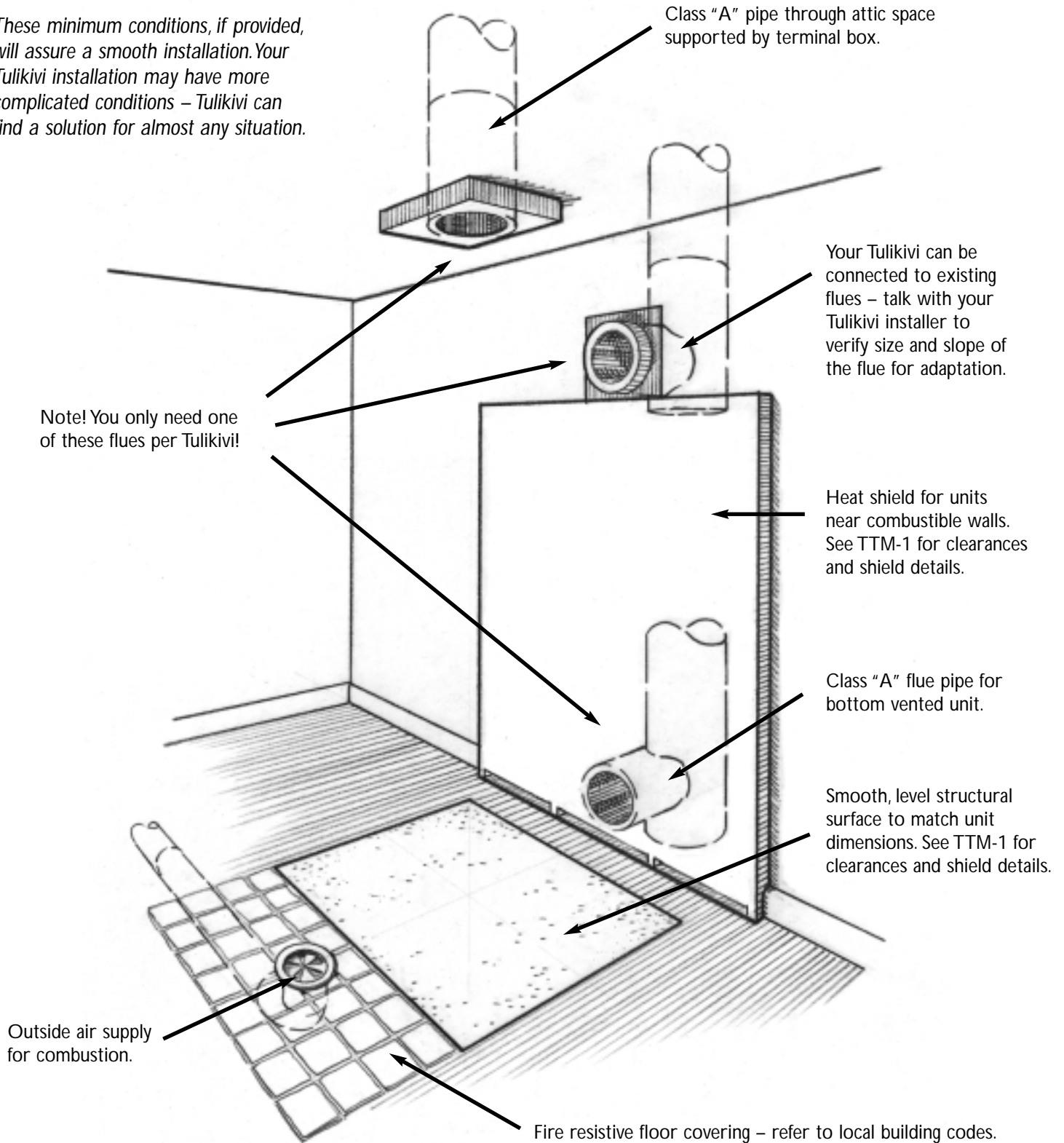


# BASIC TULIKIVI REQUIREMENTS

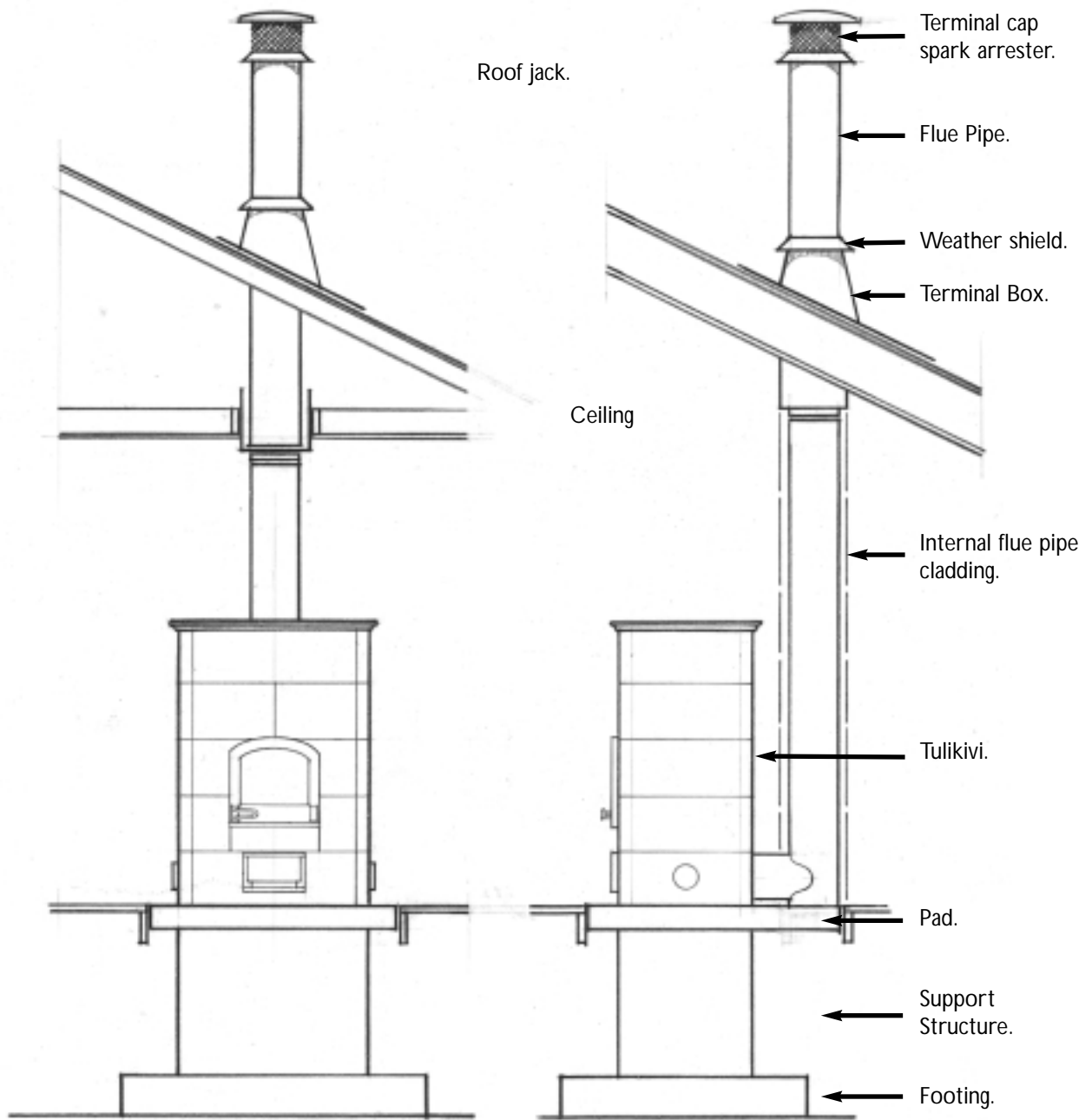
*These minimum conditions, if provided, will assure a smooth installation. Your Tulikivi installation may have more complicated conditions – Tulikivi can find a solution for almost any situation.*



©1999 Tulikivi U.S., Inc.

Tulikivi provides these drawings as a conceptual aid for the North American market. They illustrate some common conditions installers have encountered and general methods which might be considered for addressing such conditions. Please note that this material is not tailored to any particular condition; is not intended to be a substitute for or supplant the technical manual TTM-1; and is not a warranty with respect to the merchantability, suitability, or fitness for a particular purpose regarding Tulikivi products or the methods illustrated. It is not designed to replace good engineering practice, local building codes or the formal and practical training and advice of a qualified builder. The material only suggests ways architects, engineers, builders, installers and owners can enhance their projects by including a Tulikivi fireplace, bakeoven or cookstove.

# SCOPE OF WORK



TOP VENT UNIT

BOTTOM VENT UNIT

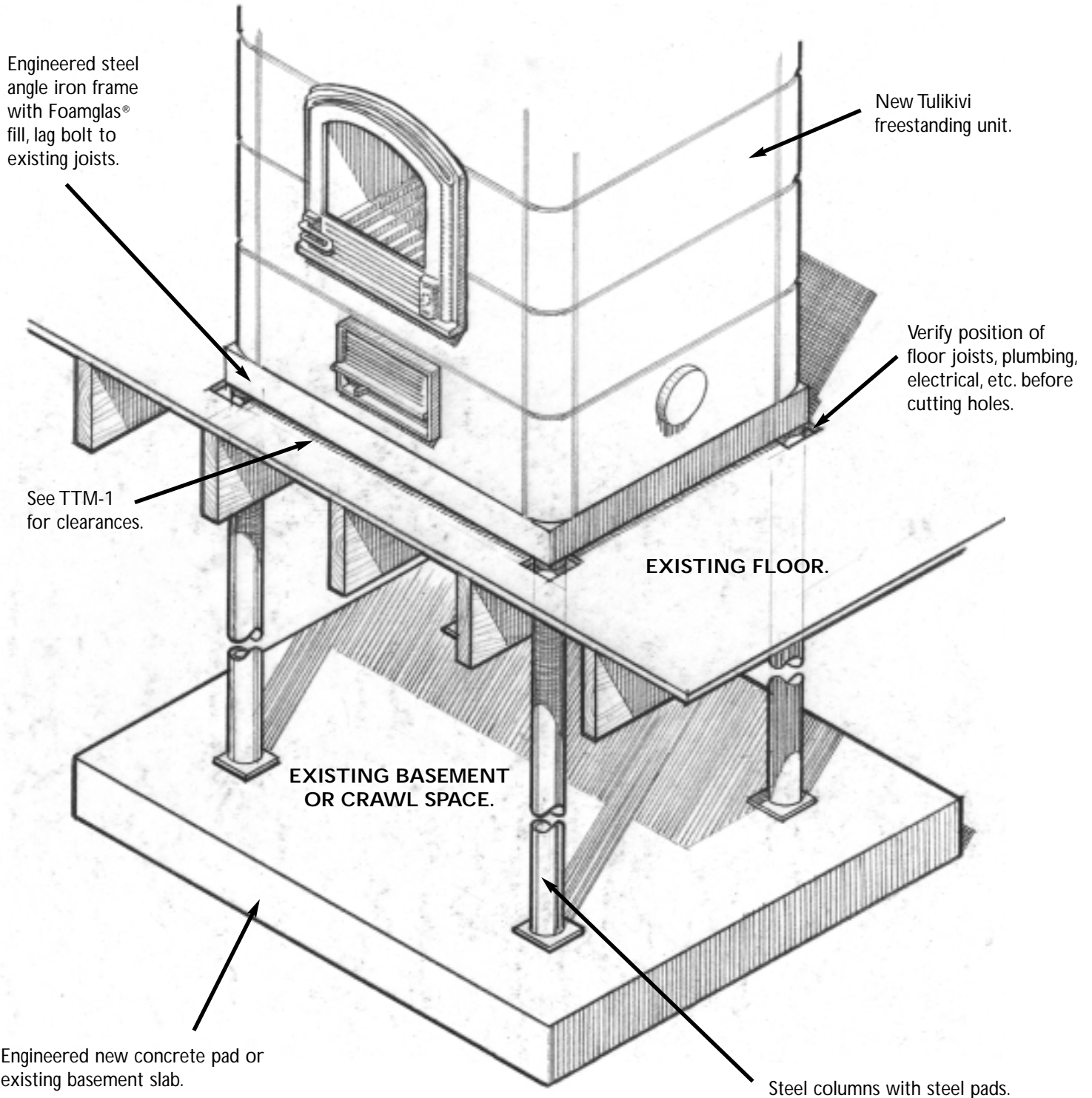


©1999 Tulikivi U.S., Inc.

Tulikivi provides these drawings as a conceptual aid for the North American market. They illustrate some common conditions installers have encountered and general methods which might be considered for addressing such conditions. Please note that this material is not tailored to any particular condition; is not intended to be a substitute for or supplant the technical manual TTM-1; and is not a warranty with respect to the merchantability, suitability, or fitness for a particular purpose regarding Tulikivi products or the methods illustrated. It is not designed to replace good engineering practice, local building codes or the formal and practical training and advice of a qualified builder. The material only suggests ways architects, engineers, builders, installers and owners can enhance their projects by including a Tulikivi fireplace, bakeoven or cookstove.

1

# STEEL SUPPORT (REMODEL)



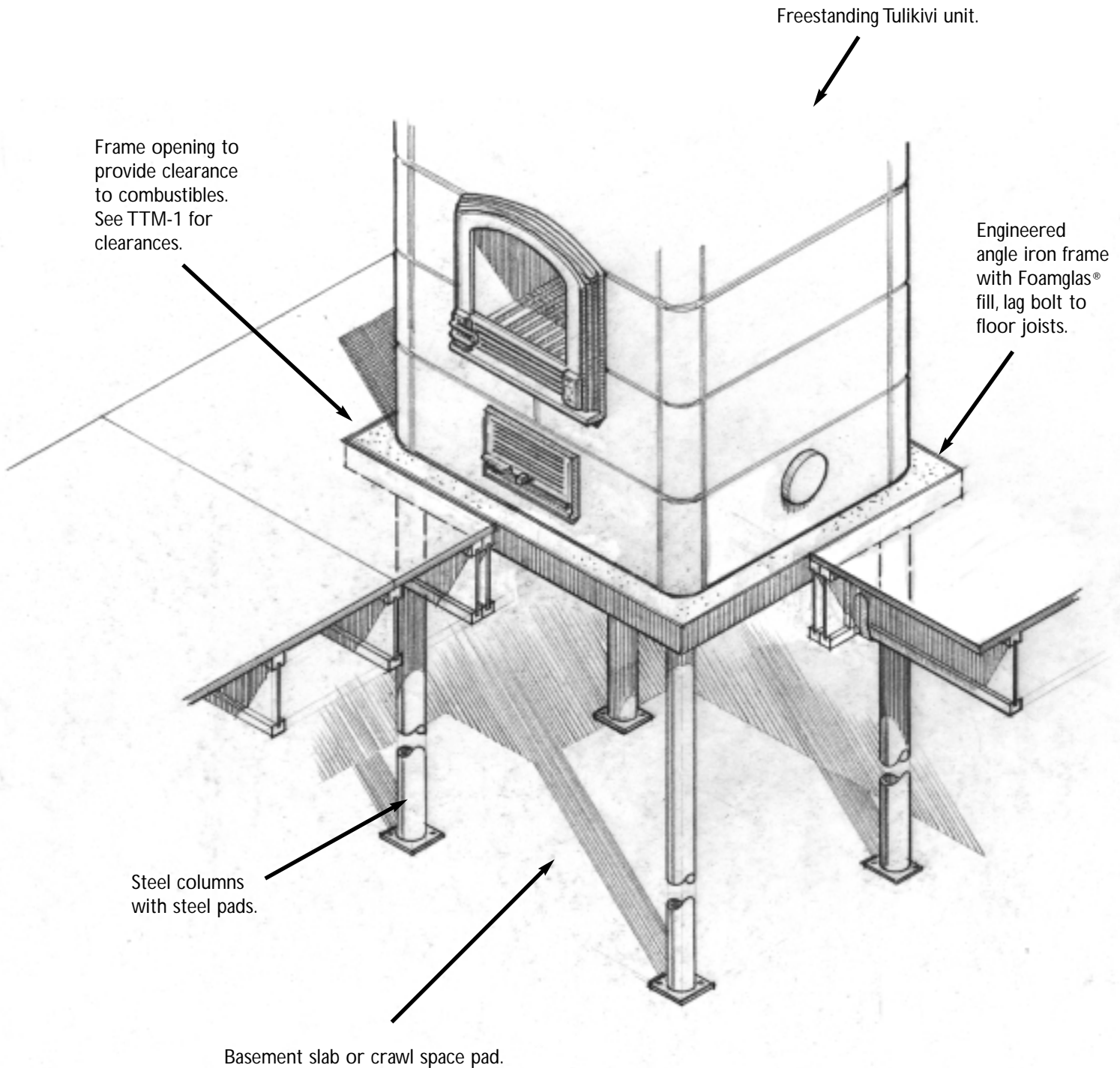
©1999 Tulikivi U.S., Inc.

Foamglas® is a registered trademark of Pittsburgh Corning.

Tulikivi provides these drawings as a conceptual aid for the North American market. They illustrate some common conditions installers have encountered and general methods which might be considered for addressing such conditions. Please note that this material is not tailored to any particular condition; is not intended to be a substitute for or supplant the technical manual TTM-1; and is not a warranty with respect to the merchantability, suitability, or fitness for a particular purpose regarding Tulikivi products or the methods illustrated. It is not designed to replace good engineering practice, local building codes or the formal and practical training and advice of a qualified builder. The material only suggests ways architects, engineers, builders, installers and owners can enhance their projects by including a Tulikivi fireplace, bakeoven or cookstove.

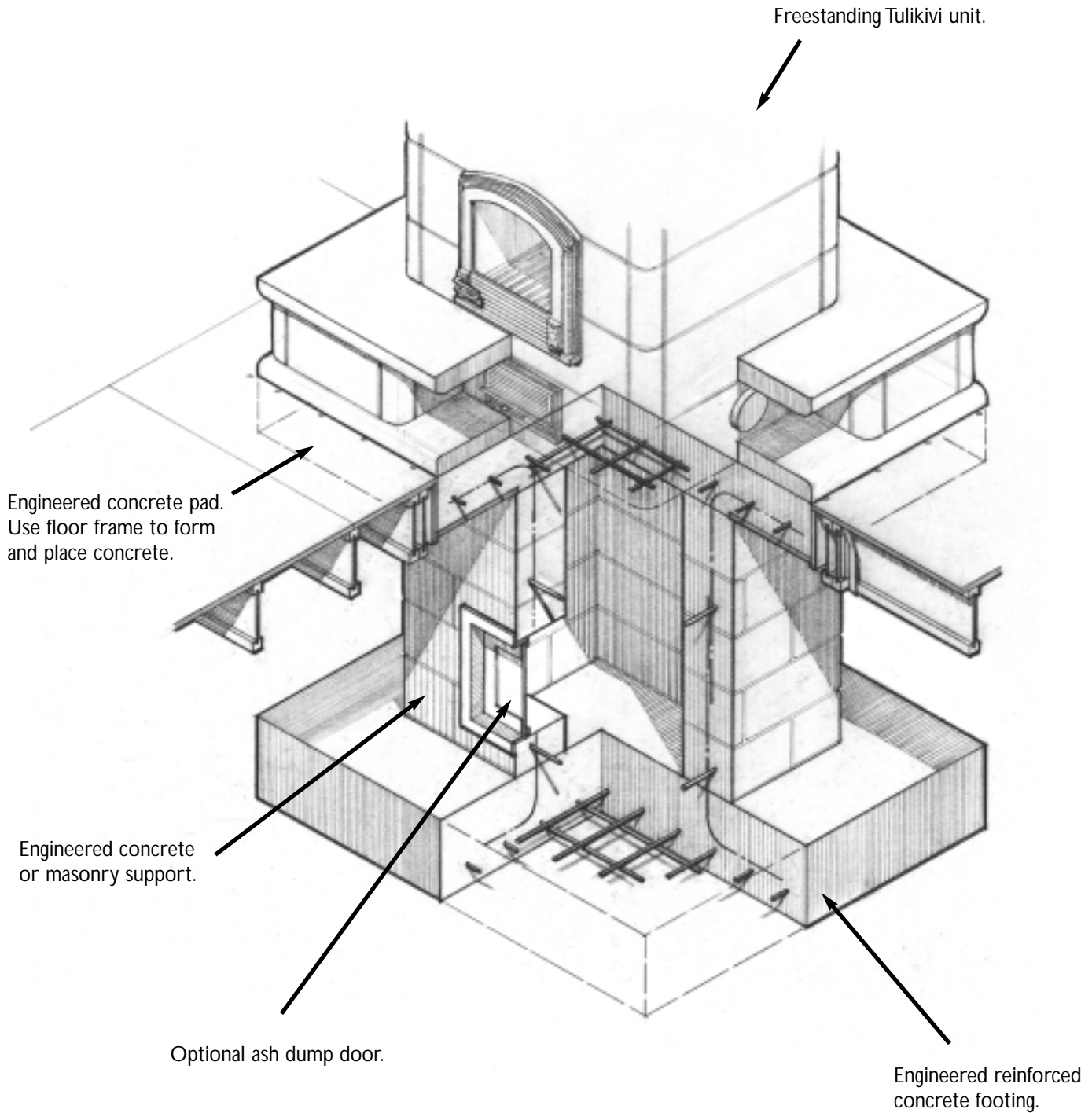
# 2

## STEEL SUPPORT (NEW CONSTRUCTION)



3

# CONCRETE / MASONRY SUPPORT

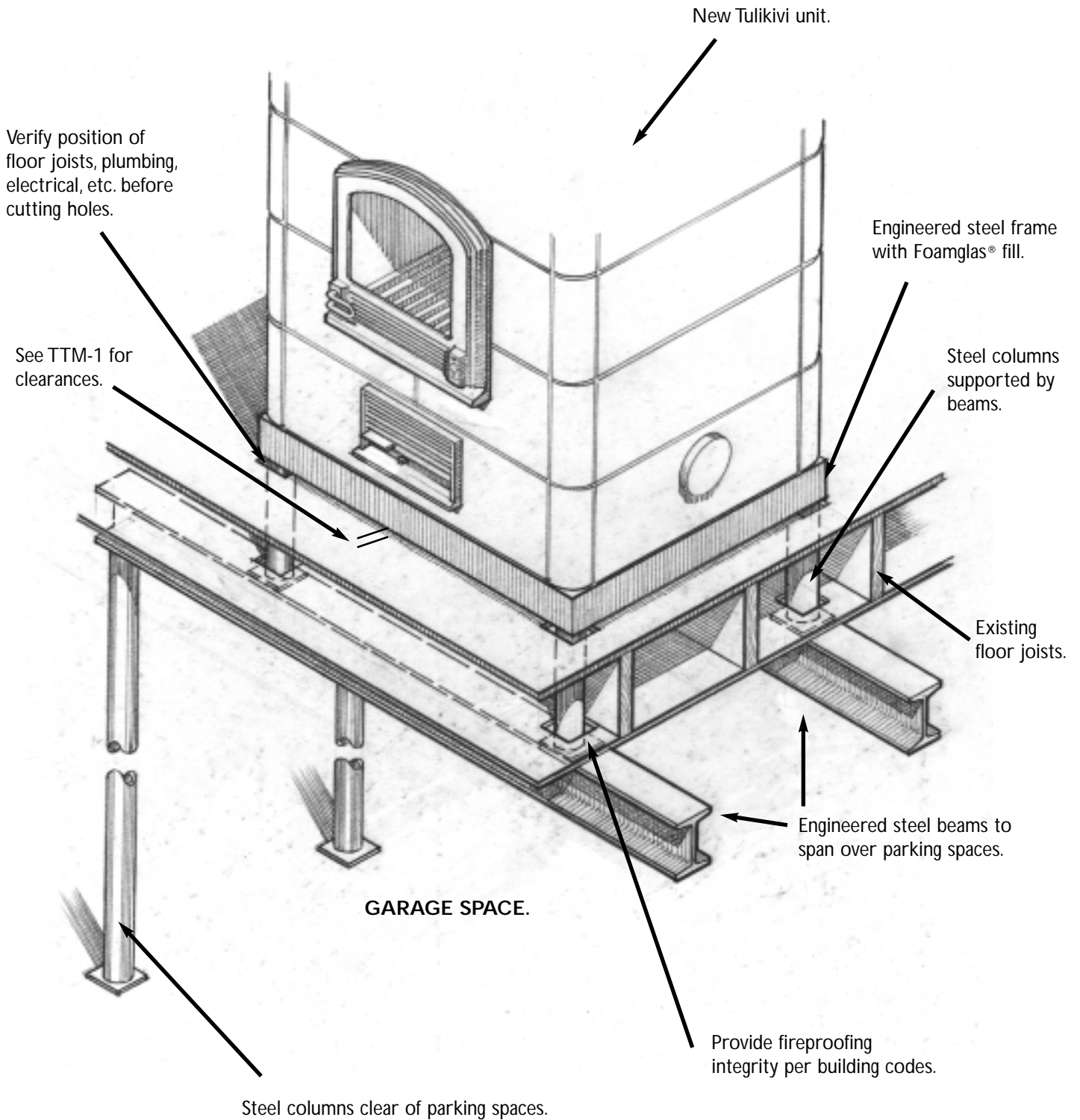


©1999 Tulikivi U.S., Inc.

Tulikivi provides these drawings as a conceptual aid for the North American market. They illustrate some common conditions installers have encountered and general methods which might be considered for addressing such conditions. Please note that this material is not tailored to any particular condition; is not intended to be a substitute for or supplant the technical manual TTM-1; and is not a warranty with respect to the merchantability, suitability, or fitness for a particular purpose regarding Tulikivi products or the methods illustrated. It is not designed to replace good engineering practice, local building codes or the formal and practical training and advice of a qualified builder. The material only suggests ways architects, engineers, builders, installers and owners can enhance their projects by including a Tulikivi fireplace, bakeoven or cookstove.

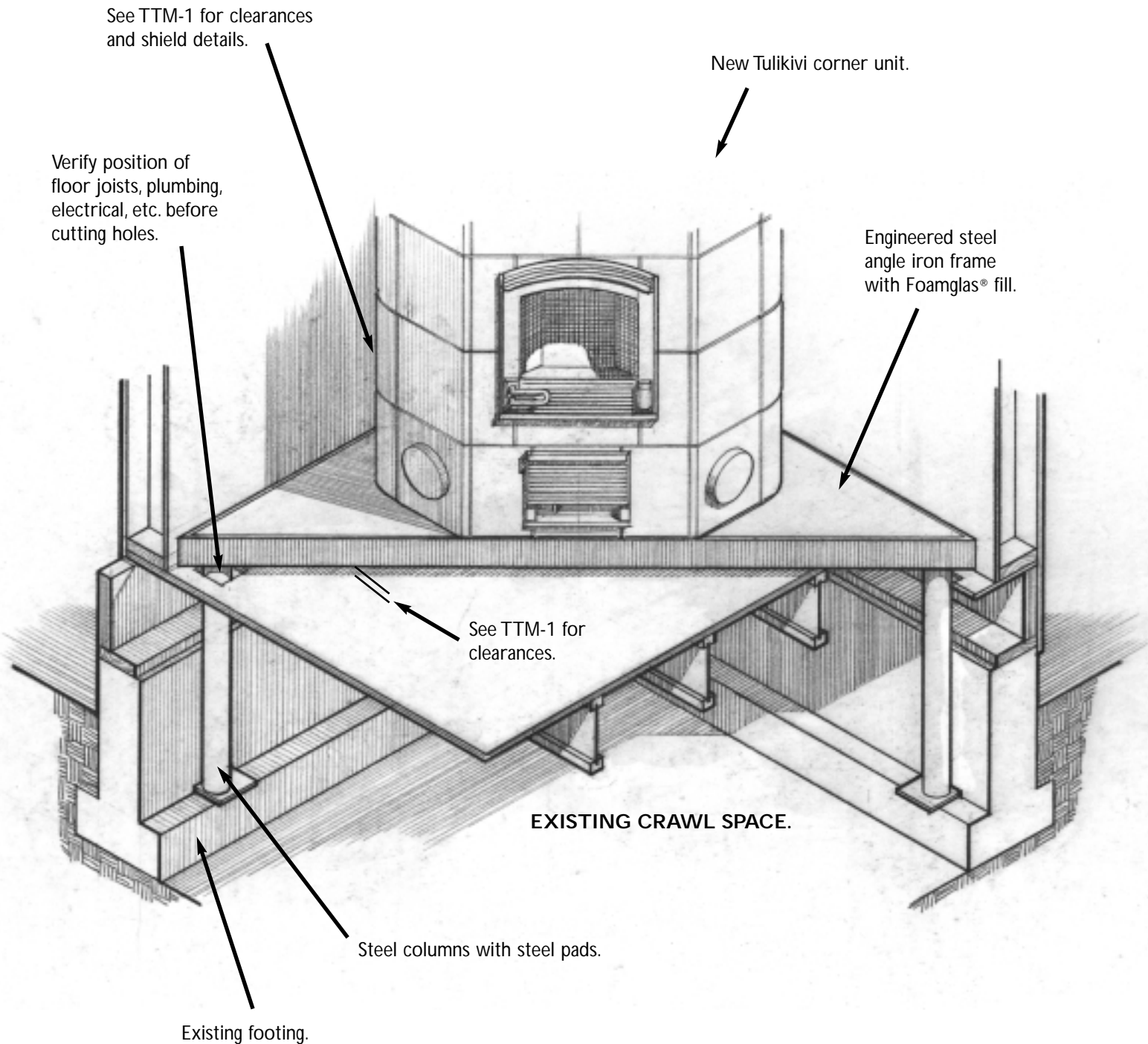
4

# OVER GARAGE (REMODEL)



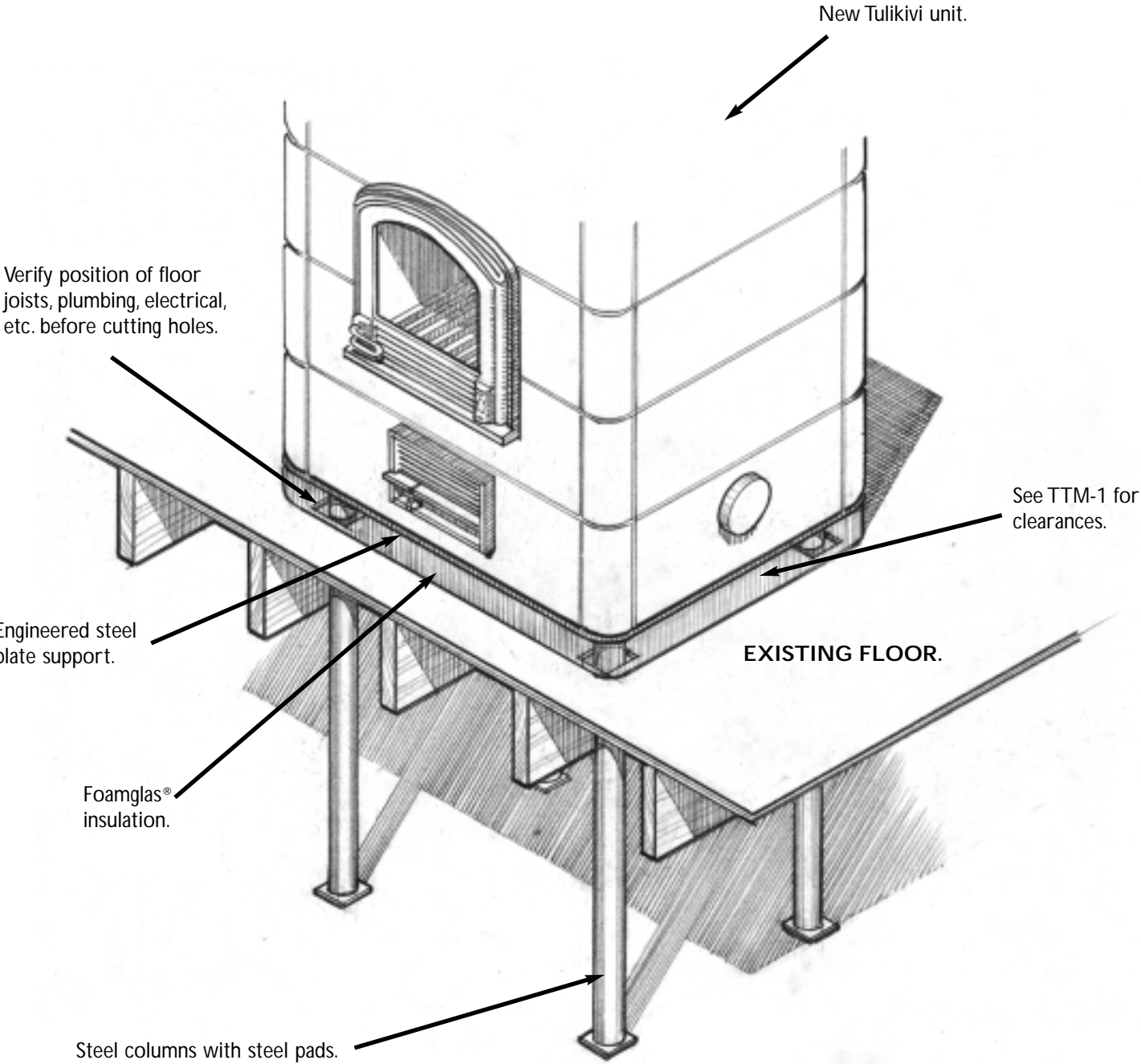
5

# CORNER UNIT (REMODEL)



# 6

## STEEL PLATE SUPPORT (REMODEL)



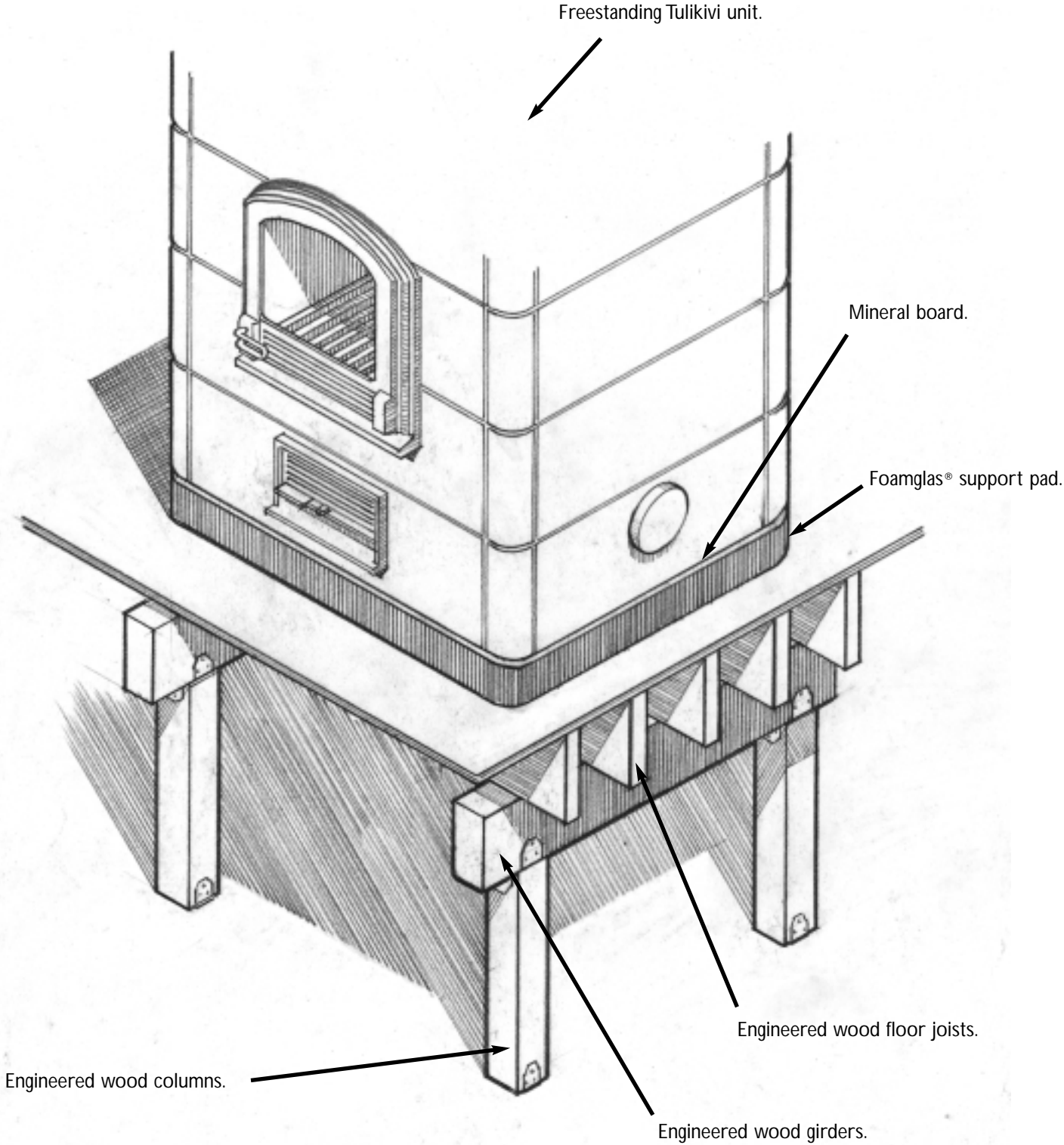
Foamglas® is a registered trademark of Pittsburgh Corning.

Tulikivi provides these drawings as a conceptual aid for the North American market. They illustrate some common conditions installers have encountered and general methods which might be considered for addressing such conditions. Please note that this material is not tailored to any particular condition; is not intended to be a substitute for or supplant the technical manual TTM-1; and is not a warranty with respect to the merchantability, suitability, or fitness for a particular purpose regarding Tulikivi products or the methods illustrated. It is not designed to replace good engineering practice, local building codes or the formal and practical training and advice of a qualified builder. The material only suggests ways architects, engineers, builders, installers and owners can enhance their projects by including a Tulikivi fireplace, bakeoven or cookstove.



# TIMBER SUPPORT

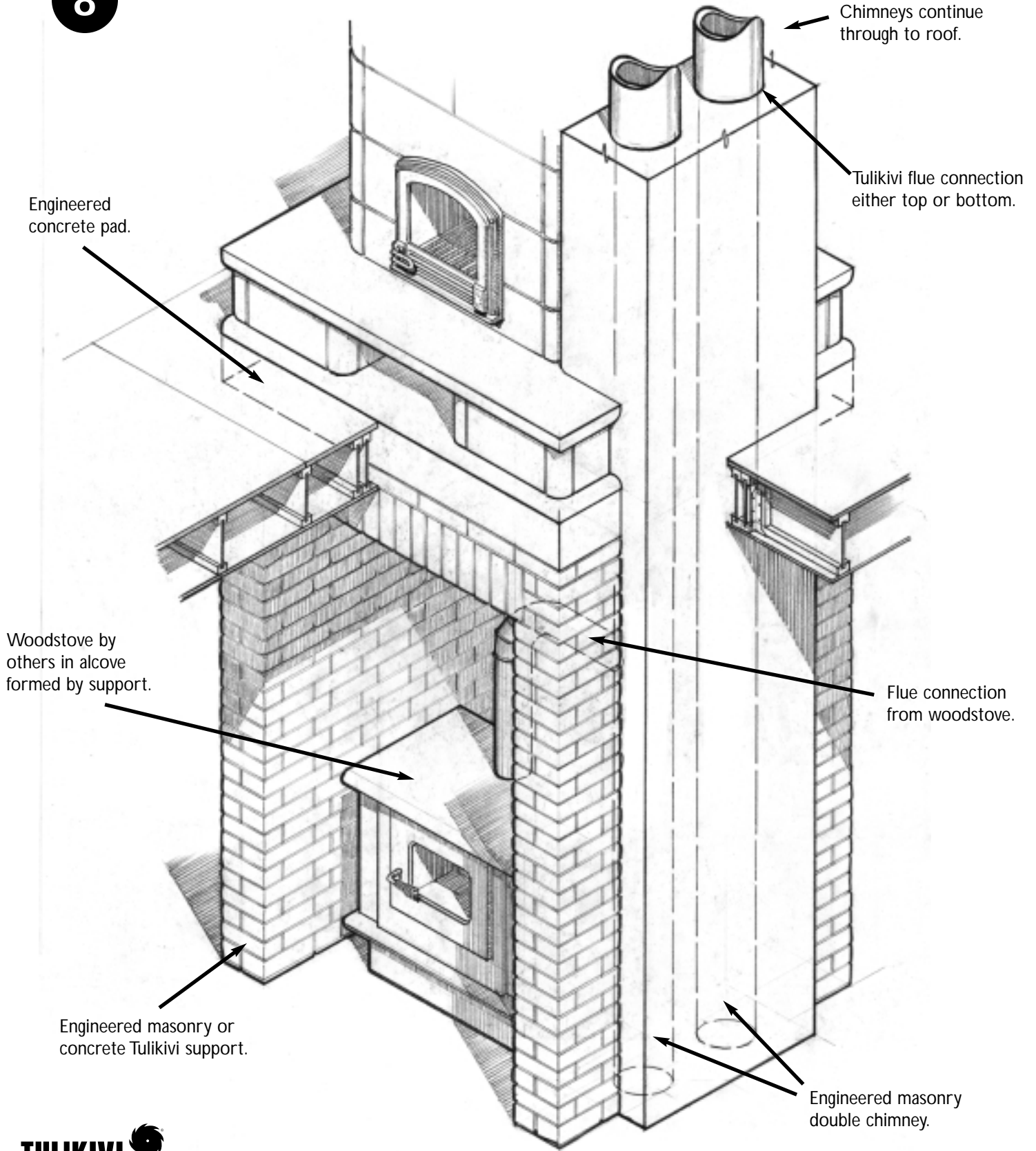
7



Tulikivi provides these drawings as a conceptual aid for the North American market. They illustrate some common conditions installers have encountered and general methods which might be considered for addressing such conditions. Please note that this material is not tailored to any particular condition; is not intended to be a substitute for or supplant the technical manual TTM-1; and is not a warranty with respect to the merchantability, suitability, or fitness for a particular purpose regarding Tulikivi products or the methods illustrated. It is not designed to replace good engineering practice, local building codes or the formal and practical training and advice of a qualified builder. The material only suggests ways architects, engineers, builders, installers and owners can enhance their projects by including a Tulikivi fireplace, bakeoven or cookstove.

# SECOND APPLIANCE

8

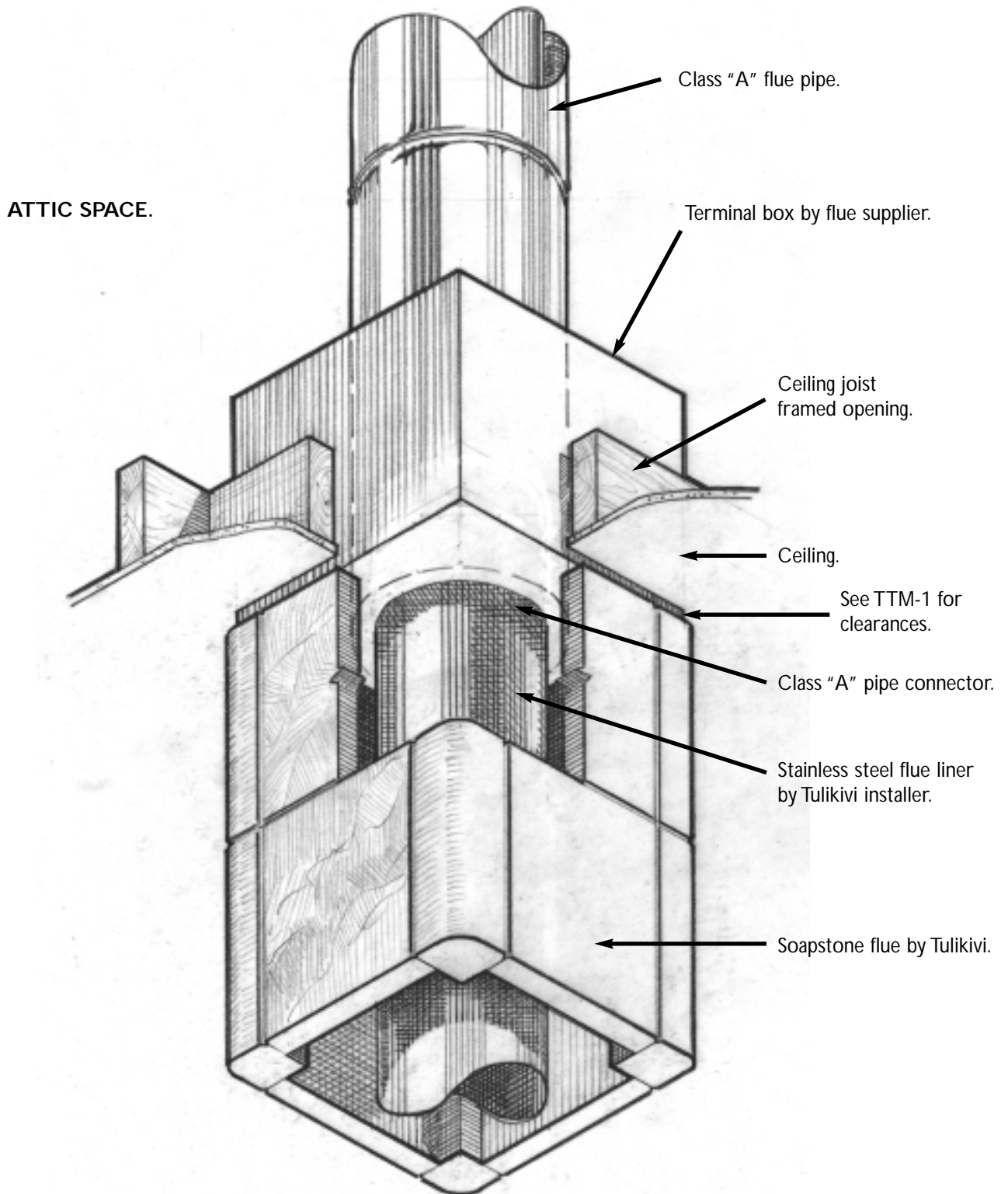


©1999 Tulikivi U.S., Inc.

Tulikivi provides these drawings as a conceptual aid for the North American market. They illustrate some common conditions installers have encountered and general methods which might be considered for addressing such conditions. Please note that this material is not tailored to any particular condition; is not intended to be a substitute for or supplant the technical manual TTM-1; and is not a warranty with respect to the merchantability, suitability, or fitness for a particular purpose regarding Tulikivi products or the methods illustrated. It is not designed to replace good engineering practice, local building codes or the formal and practical training and advice of a qualified builder. The material only suggests ways architects, engineers, builders, installers and owners can enhance their projects by including a Tulikivi fireplace, bakeoven or cookstove.

# CEILING CONNECTION

9

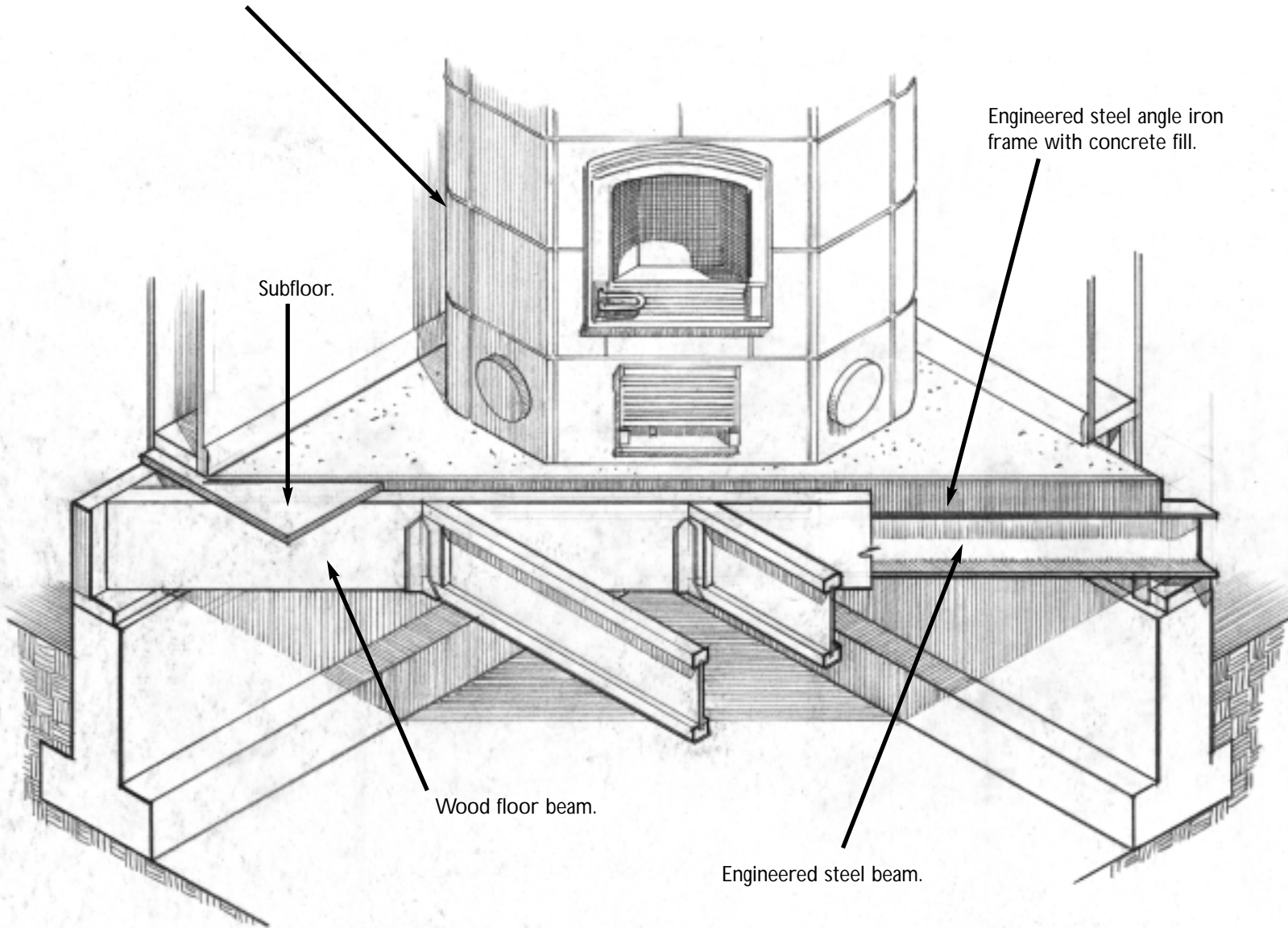


©1999 Tulikivi U.S., Inc.

Tulikivi provides these drawings as a conceptual aid for the North American market. They illustrate some common conditions installers have encountered and general methods which might be considered for addressing such conditions. Please note that this material is not tailored to any particular condition; is not intended to be a substitute for or supplant the technical manual TTM-1; and is not a warranty with respect to the merchantability, suitability, or fitness for a particular purpose regarding Tulikivi products or the methods illustrated. It is not designed to replace good engineering practice, local building codes or the formal and practical training and advice of a qualified builder. The material only suggests ways architects, engineers, builders, installers and owners can enhance their projects by including a Tulikivi fireplace, bakeoven or cookstove.

# CORNER UNIT (NEW CONSTRUCTION)

See TTM-1 for clearances and shield details.



©1999 Tulikivi U.S., Inc.

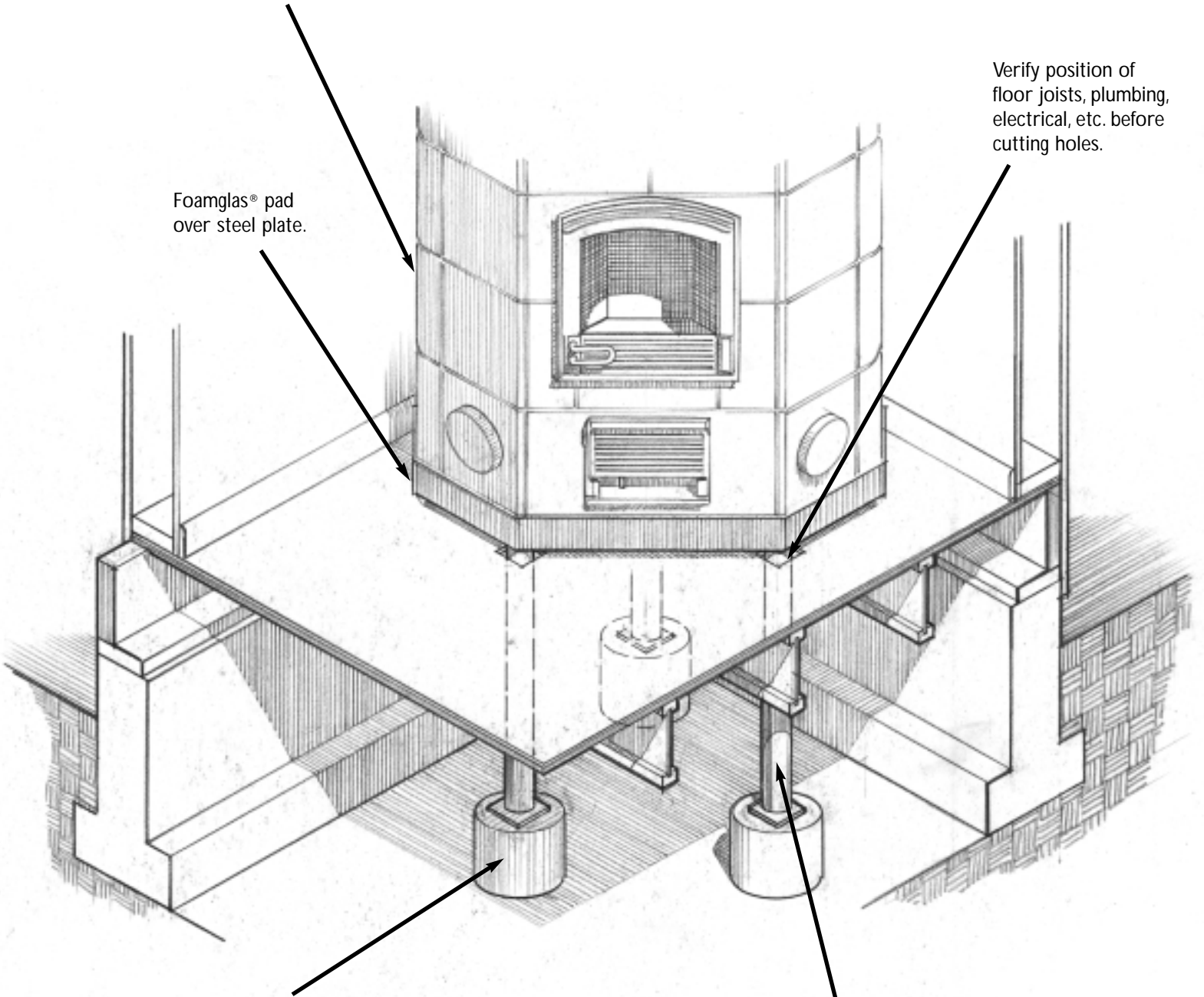
Tulikivi provides these drawings as a conceptual aid for the North American market. They illustrate some common conditions installers have encountered and general methods which might be considered for addressing such conditions. Please note that this material is not tailored to any particular condition; is not intended to be a substitute for or supplant the technical manual TTM-1; and is not a warranty with respect to the merchantability, suitability, or fitness for a particular purpose regarding Tulikivi products or the methods illustrated. It is not designed to replace good engineering practice, local building codes or the formal and practical training and advice of a qualified builder. The material only suggests ways architects, engineers, builders, installers and owners can enhance their projects by including a Tulikivi fireplace, bakeoven or cookstove.

# CORNER UNIT (REMODEL)

See TTM-1 for clearances and shield details.

Foamglas® pad  
over steel plate.

Verify position of  
floor joists, plumbing,  
electrical, etc. before  
cutting holes.

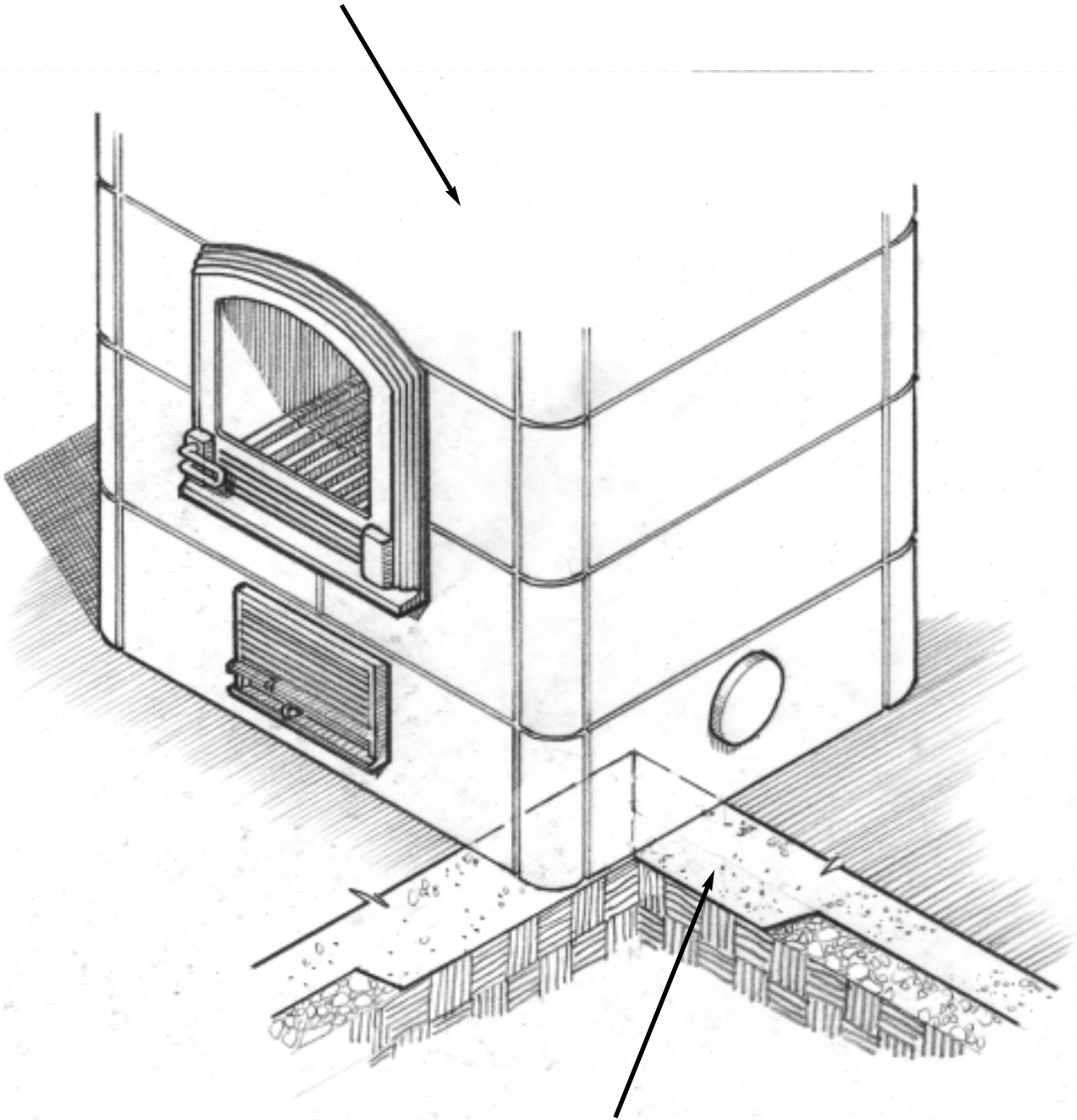


Engineered new footings  
in crawl space.

Engineered steel columns.

# SLAB ON GRADE

Freestanding Tulikivi unit.



Engineered thickened slab –  
certain soil types may support  
the unit without added thickness.

Tulikivi provides these drawings as a conceptual aid for the North American market. They illustrate some common conditions installers have encountered and general methods which might be considered for addressing such conditions. Please note that this material is not tailored to any particular condition; is not intended to be a substitute for or supplant the technical manual TTM-1; and is not a warranty with respect to the merchantability, suitability, or fitness for a particular purpose regarding Tulikivi products or the methods illustrated. It is not designed to replace good engineering practice, local building codes or the formal and practical training and advice of a qualified builder. The material only suggests ways architects, engineers, builders, installers and owners can enhance their projects by including a Tulikivi fireplace, bakeoven or cookstove.